

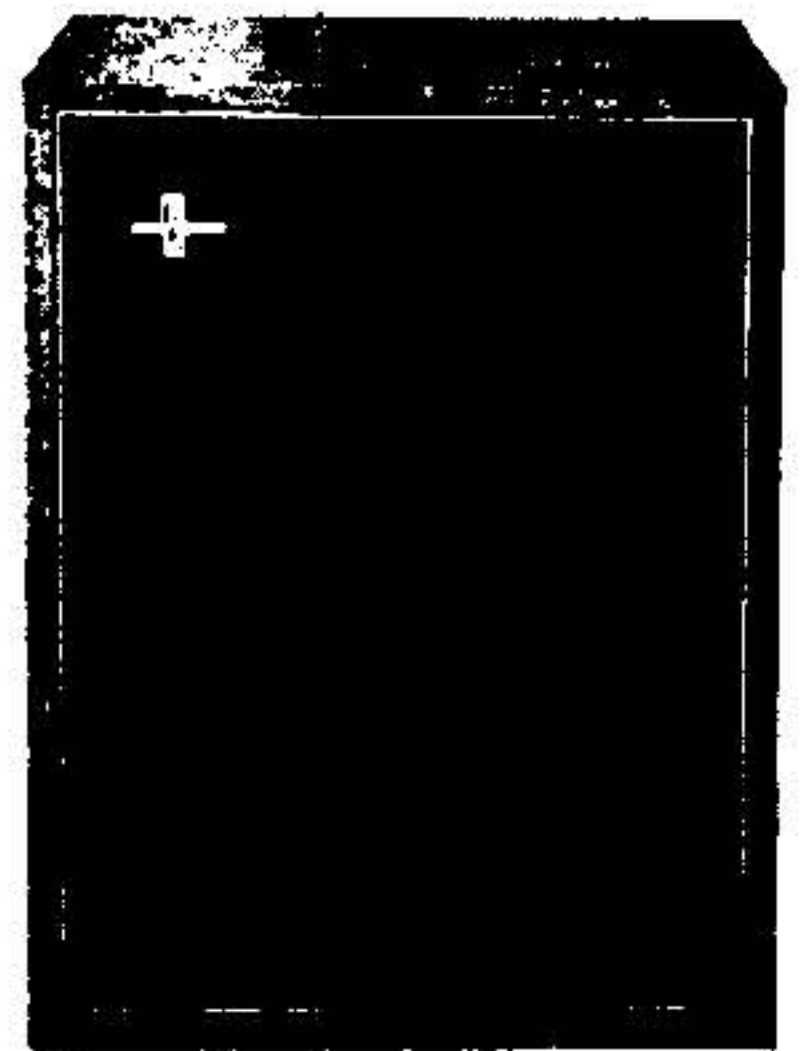
P1-22

PHILIPS Hi-Fi 22RH496/00

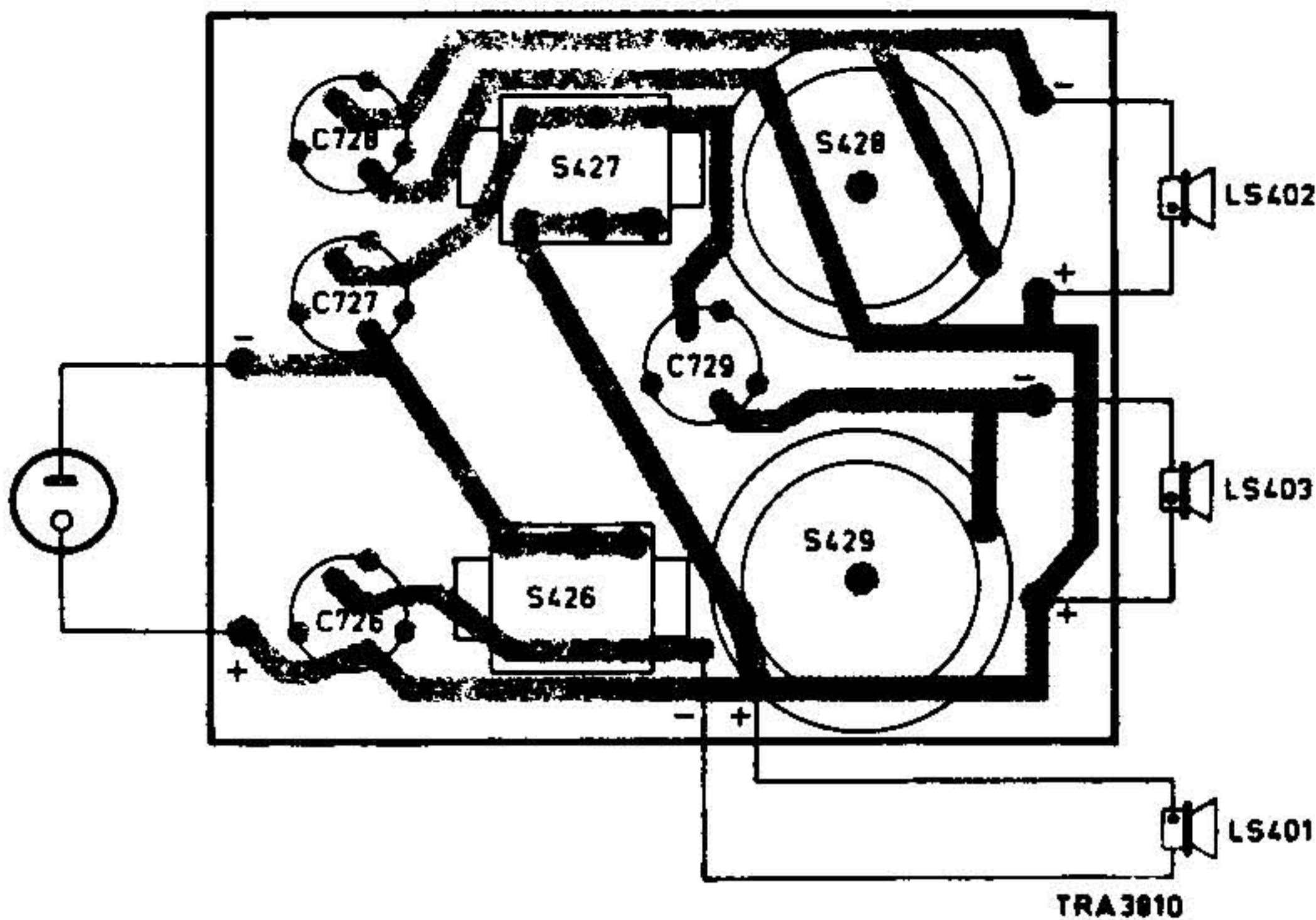
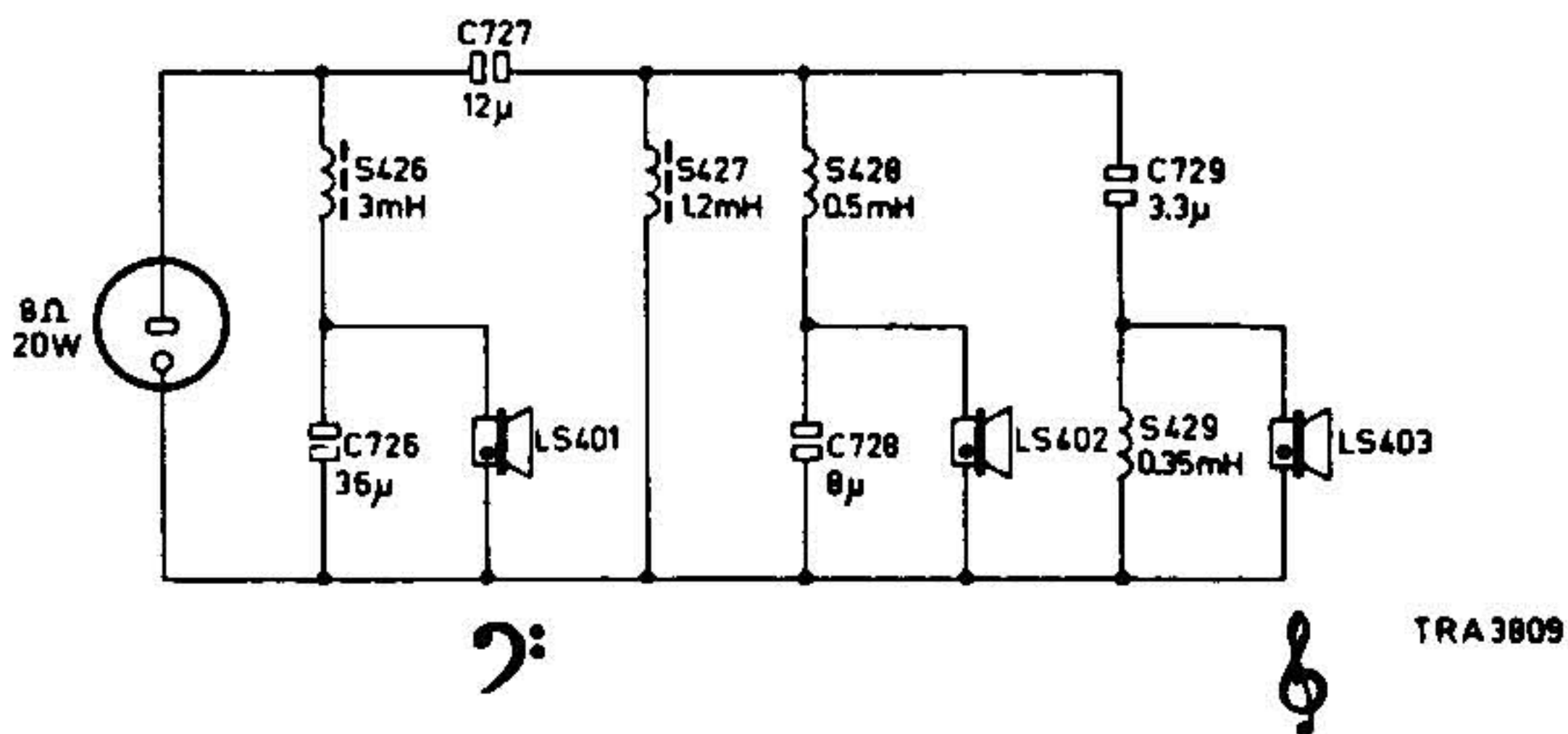
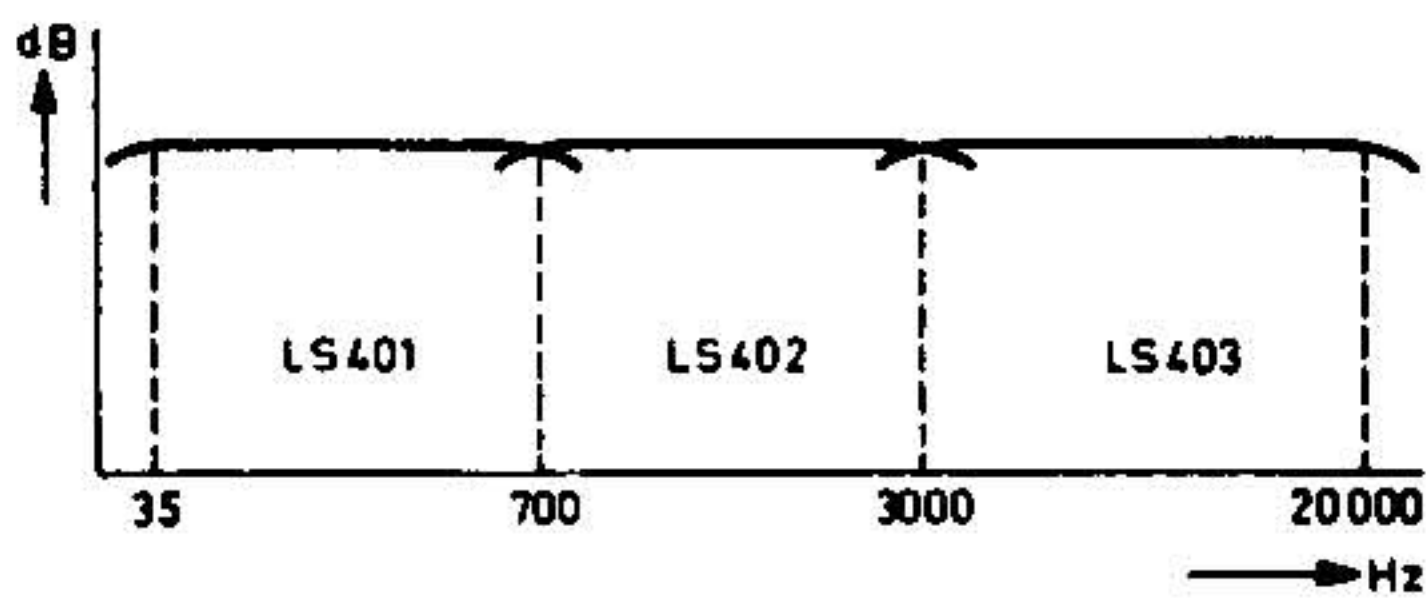
Service

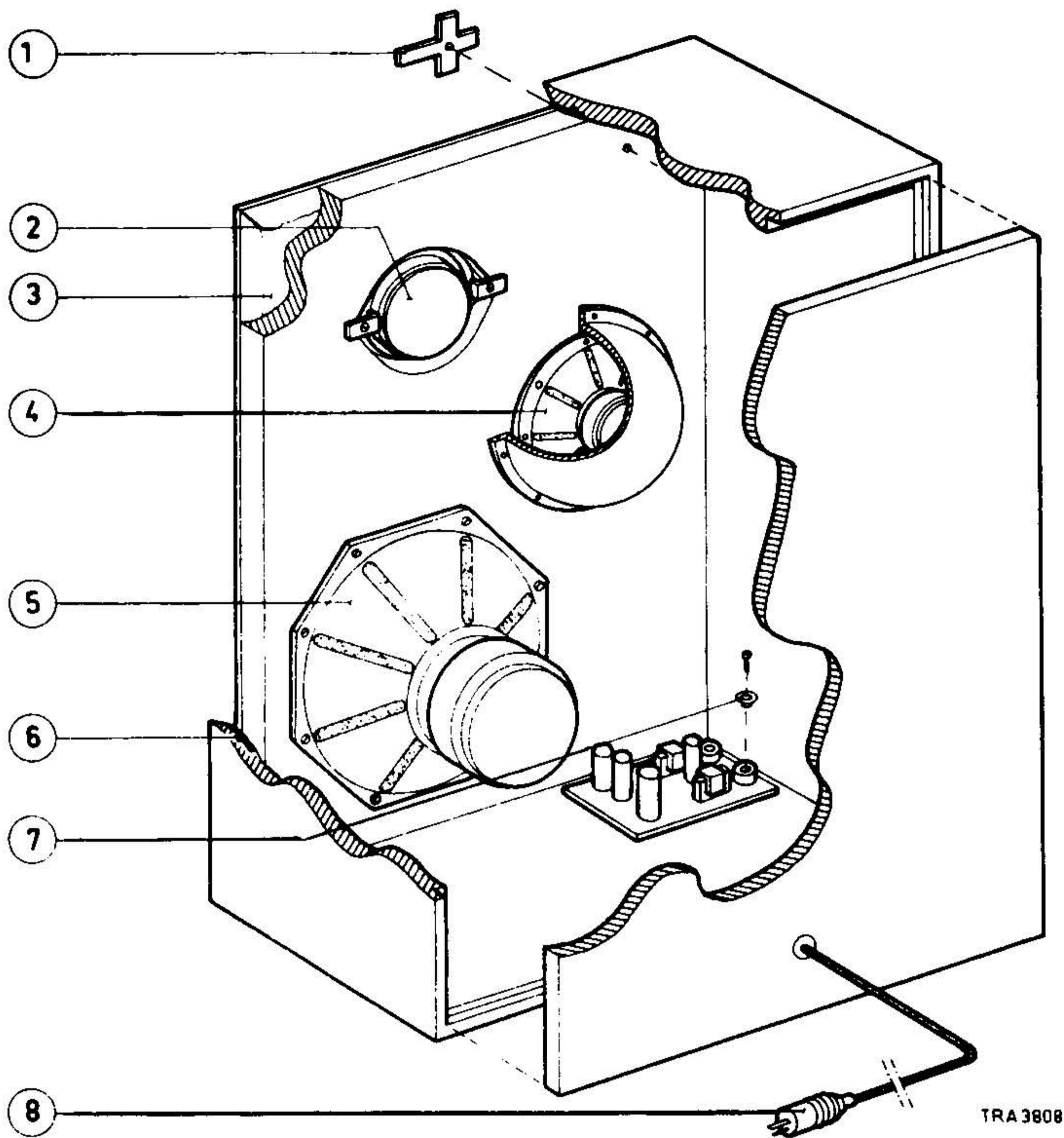
notes

25 litres
345x460x225 mm



TRA 3750





TRA 3808

①		4822 459 10271
②	LS403 - 8 Ω	4822 240 70004
③		4822 445 30007
④	LS402 - 8 Ω	4822 240 50079
⑤	LS401 - 8 Ω	4822 240 60023
⑥		4822 460 10248
⑦		4822 462 70531
⑧		4822 264 30041

S426	4822 152 20366
S427	4822 152 20367
S428	4822 157 50596
S429	4822 157 50595

— —	C726
	C727
	C728
	C729

—00—	4822 124 40077
	4822 124 40076
	4822 124 40102
	4822 124 40103